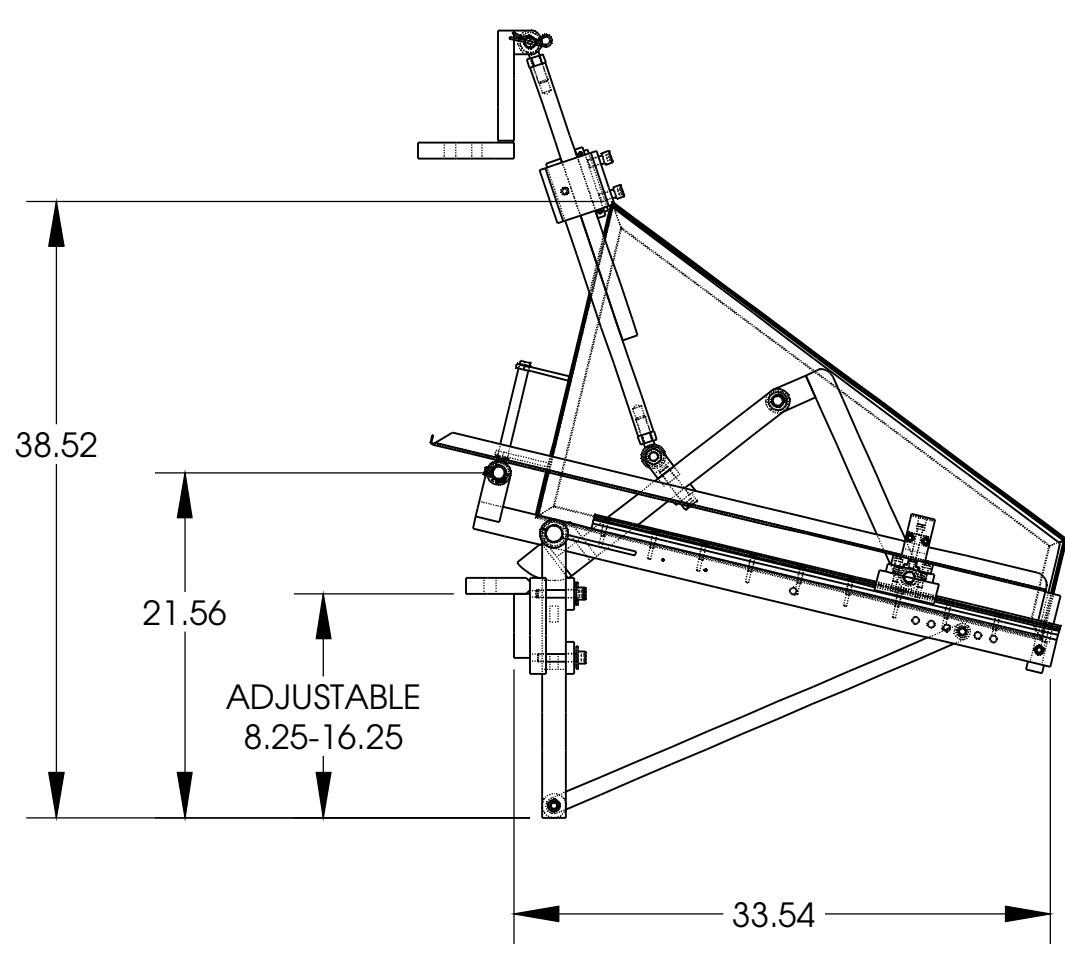
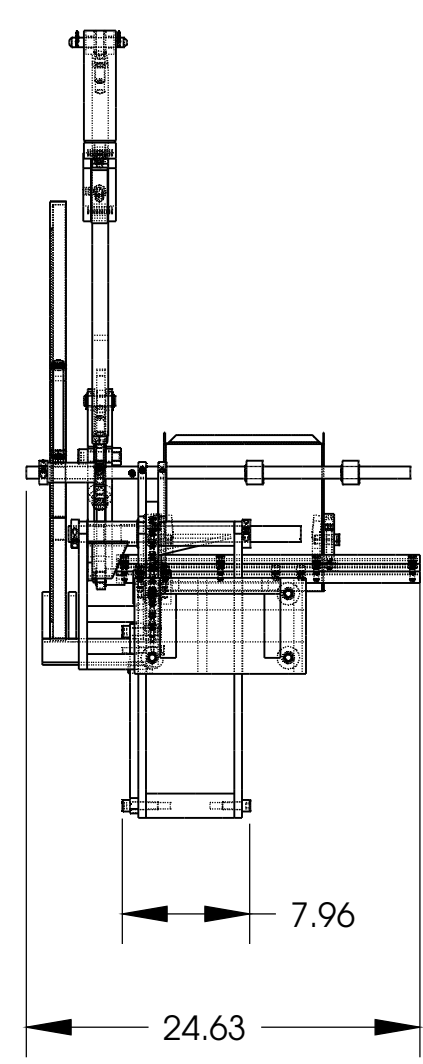



7
 DRAWING IS THE SOLE PROPERTY OF
 BACHHUBER MFG. CORP. IS PROHIBITED.



REV.	DESCRIPTION	DATE	APPROVED
UNLESS OTHERWISE SPECIFIED DIMENSIONS ARE IN INCHES TOLERANCES ARE:	CAD GENERATED DRAWING, DO NOT MANUALLY UPDATE		
FRACTIONS ± 1/32	DECIMALS X.X ± 0.030 X.XX ± 0.015 X.XXX ± 0.010	ANGLES ± 1/2°	 BACHHUBER MFG. CORP. Model 150 Series
STOCK			
NEXT ASSY	USED ON	MATERIAL Welded Steel	SCALE 1:15
APPLICATION	FINISH	DO NOT SCALE DRAWING	QTY. REQ'D -- SIZE DWG. NO. B Model 150 CAD FILE: Model 150
			REV. 00 SHEET 1 OF 1